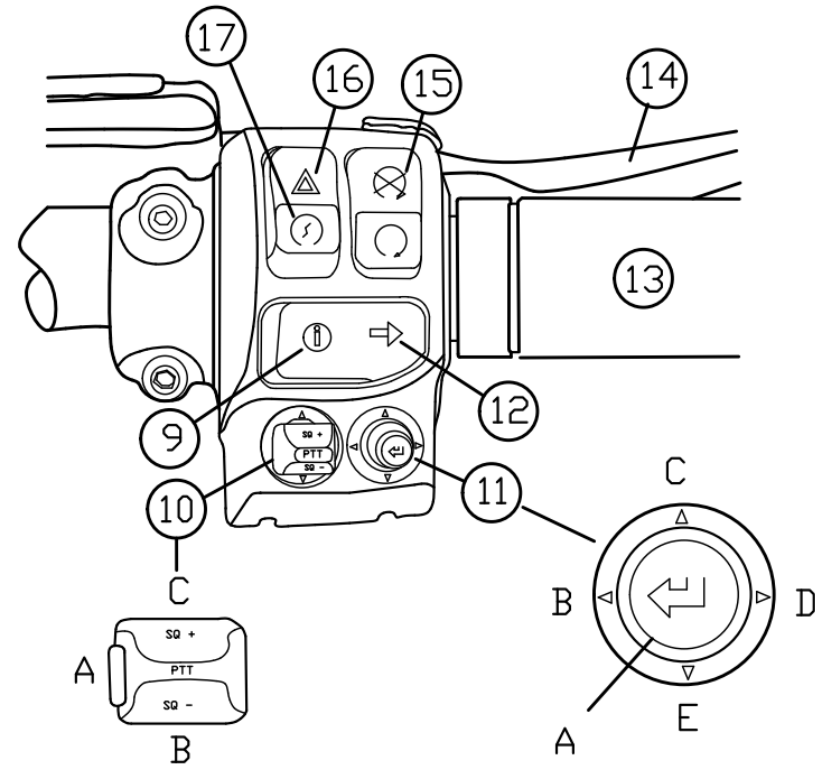
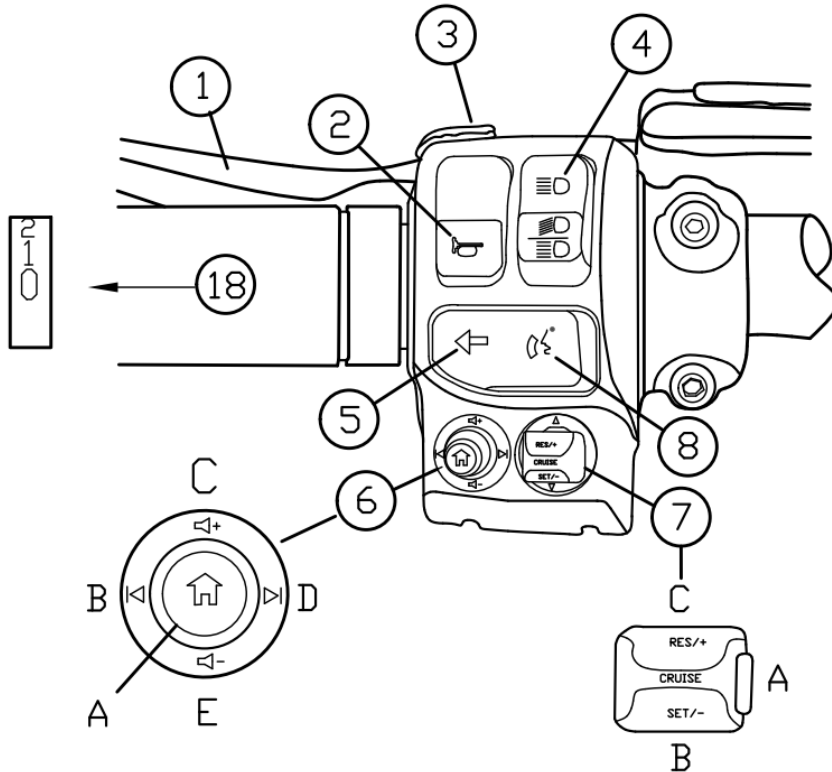




INSTRUCTIONS



- 1. CLUTCH HAND LEVER
- 2. HORN BUTTON
- 3. TRIGGER SWITCH (Odometer)
- 4. HEADLIGHT DIMMER SWITCH
- 5. LEFT TURN SIGNAL
- 6 – A. HOME SWITCH
 - B. Seek Down or Previous
 - C. Volume Up
 - D. Seek Up or Next
 - E. Volume Down

- 7. CRUISE CONTROL SWITCH
 - A. Cruise (On / Off)
 - B. Set / - (Slower)
 - C. Resume / + (Faster)
- 8. VOICE COMMAND SWITCH
 - Air Temp
 - Oil Pressure
 - EITMS (Rear Cylinder Status)

- 10. CB / INTERCOM SWITCH
 - A. Push to Talk
 - B. Squelch -
 - C. Squelch +
- 11 – A. CURSOR SELECT SWITCH
 - B. Left
 - C. Up
 - D. Right
 - E. Down

- 12. RIGHT TURN SIGNAL SWITCH
- 13. THROTTLE CONTROL GRIP
- 14. FRONT BRAKE LEVER
- 15. ENGINE OFF / RUN SWITCH
- 16. HAZARD WARNING SWITCH
- 17. ENGINE START SWITCH
- 18. HEATED GRIPS On / Off & Temp